

Features

- Brass DC drive solenoid valve series suitable for neutral gas and liquid, such as compressed air, natural gas, water, hydraulic pressure oil and vacuum technique.
- The product structure has the below feature. DC form, compact structure, high-quality viton sealed.



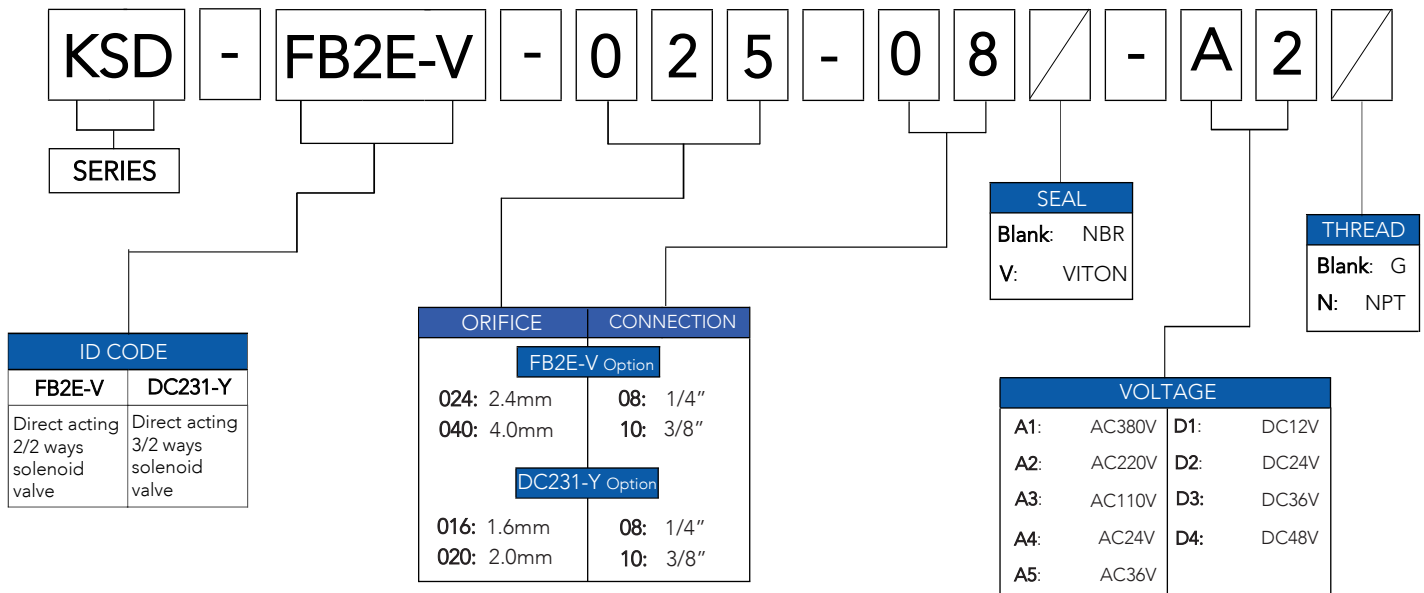
KSD Series 2/2 Way Solenoid Valve

Model	Orifice Size (mm)	CV Value	Port Connection	Working Pressure (Bar)			Power
				Min.	Max.-AC	Max.-DC	
KSD-FB2E-V-08	2.4	0.21	1/4" G	0	20	10	10W
	4.0	0.43	1/4" G	0	9	6	
KSD-FB2E-V-10	5.0	0.50	3/8" G	0	6	3	

KSD Series 3/2 Way Solenoid Valve

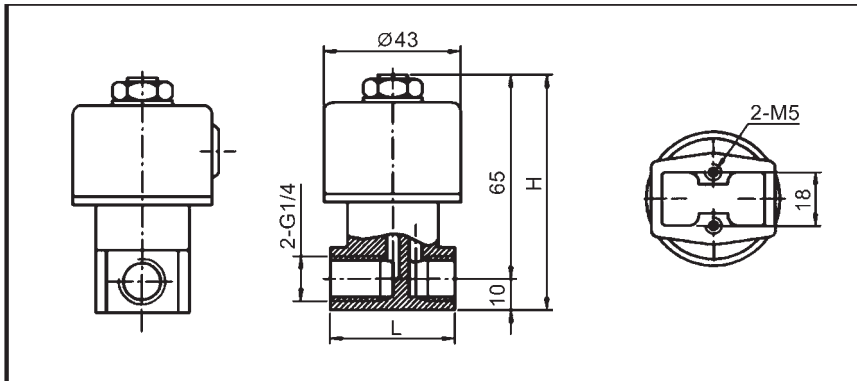
Model	Orifice Size (mm)		Port Connection	Pressure Range	Standard Voltage	Power
	Top Port	Body Port				
KSD-DC231-Y-08	2.3	1.6	G1/4", G3/8"	0-0.9 MPa (0-130 Psi)	AC : 380C, 220V, 36V	10W
KSD-DC231-Y-10	2.3	2.0			DC : 220V, 24V	

Ordering Code



Order Example:
 KSD series direct acting 3/2 ways solenoid valve, 1/4" port size, NBR seals, 1.6 orifice size AC220V, DIN connector coil, BSP (G) thread.
SENYA part#KSD-DC231-Y-016-08-AC220V

Dimensions Sheet (mm)



Model	Port size	L	H
KSD-FB2E-V-024-08-A2	1/4"	40	75
KSD-DC231-Y-040-08-A2	1/4"	41	95
KSD-FB2E-V-040-10-A2	3/8"	40	75
KSD-DC231-Y-020-10-A2	3/8"	41	95

Specifications (Metric units)

Pipe Size (in)	Orifice Size (mm)	CV Flow Factor	Operating Pressure Differential (Bar)									Max. Fluid Temp. °C		Brass Body Catalog Number	Stainless Steel 304 Catalog Number	Watt Rating/ Class of Coil Insulatic	
			Min.	Max. AC			Max. DC			AC	DC	AC	DC				
				Air-Inert Gas	Water	Light Oil less 50 CST	Air-Inert Gas	Water	Light Oil less 50 CST								
NORMALLY CLOSED (Closed when de-energized)																	
1/4	2.4	0.21	0	10	10	5	20	20	10	50	50	KSD-FB2E-V-024-08-A2	-	17.1/F	-		
1/4	4.0	0.43	0	9	9	4	6	6	4	50	50	KSD-DC231-Y-040-08-A2	-	-	11.6/F		
3/8	1.6	0.21-0.1	0	7	7	4	7	4	7	50	50	KSD-FB2E-V-040-10-A2	-	17.1/F	40.6H		
3/8	2.0	0.21-0.1	0	7	7	4	7	4	7	50	50	KSD-DC231-Y-020-10-A2	-	17.1/F	-		

***Note:**

Standard Voltages must be specified when ordering. Other voltages please consult SENYA staff for more details